

PROJECT		QUANTITY	
---------	--	----------	--

# P5L Ellipsoidal Light (Track)

175W LED/ 19° / 36° / 50°



## ORDERING GUIDE

**CXP5L** -  -  -  -  - **PSP** -

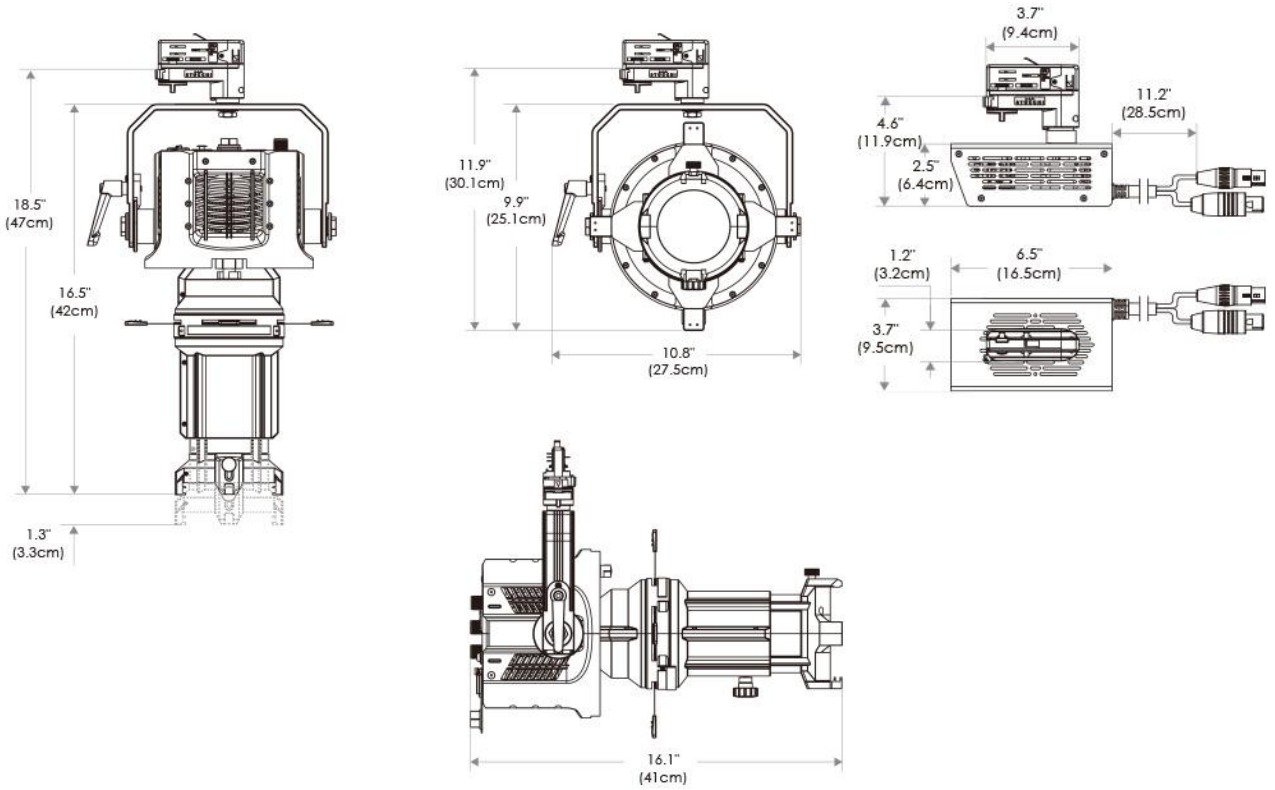
<b>Field Angle</b>	
<b>19</b>	19°
<b>36</b>	36°
<b>50</b>	50°
<b>Mode</b>	
<b>CLR</b>	All Modes
<b>EZ</b>	All EZ Modes
<b>RGB</b>	RGB Mode Only
<b>CCT</b>	Tunable CCT Mode Only
<b>3200</b>	Fixed 3200K
<b>5600</b>	Fixed 5600K
<b>Finish</b>	
<b>WH</b>	White
<b>BK</b>	Black
<b>Mount</b>	
<b>TOX</b>	w/ O-type DMX Track Adapter
<b>TEX</b>	w/ E-type DMX Track Adapter (Legacy product)
<b>Power Supply &amp; Control</b>	
<b>PSP</b>	Power Supply w/ Pass-Through DMX
<b>Plug/Connection</b>	
<b>US</b>	US 120V
<b>EU</b>	EU 220V

## SPECIFICATIONS

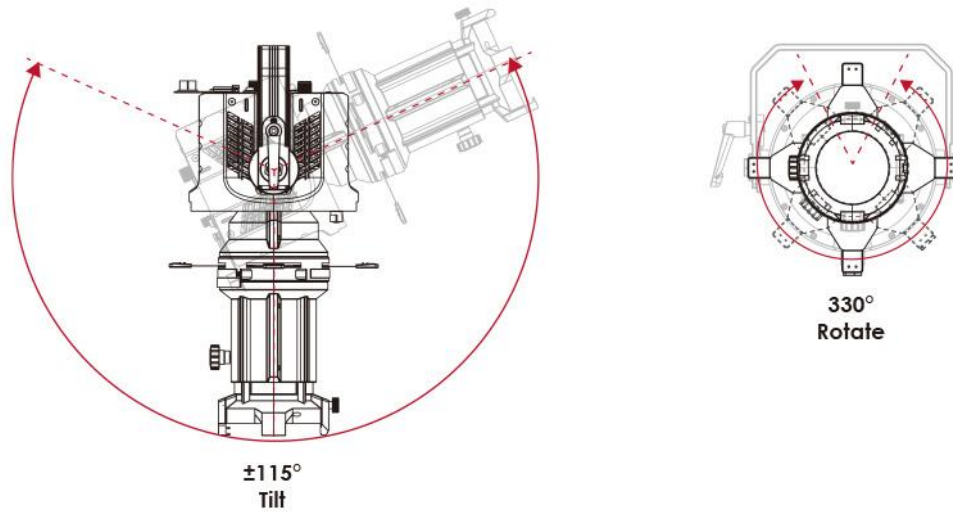
Beam Angle	19° / 36° / 50°
CRI / TLCI	95/90 typical (in CCT Mode of 2800K-6500K)
Dimming	100% - 0% flicker free
Power Draw	175W max
AC Input	100 - 240V AC, 50 - 60Hz
Remote Control	DMX 512
Cooling	Fan Cooled
Acoustic Noise	21 dBA
Operating Temp.	32 - 104°F (0 - 40°C)
Weight (Fixture + Power Supply)	10.9lb / 5.0kg
Gobo Size	Diameter: M Size (66mm)
	Max Image: 48mm
	Max Thickness: 1mm

- Cine-Grade Light Quality
- Point-Source LED
- DMX Controllable
- 175W Power Draw
- Carries Four Shutter Blades

## MECHANICAL FIGURES

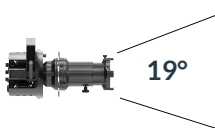


## TILT/ROTATION

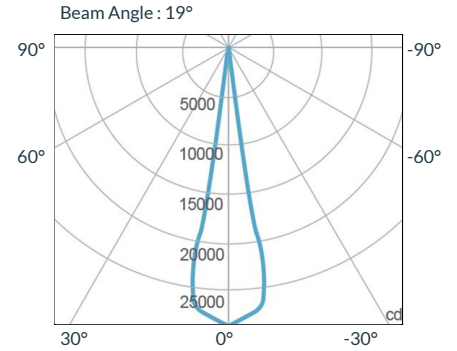


## PHOTOMETRIC DATA

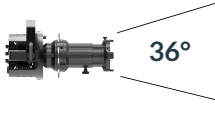
### 19 Degree



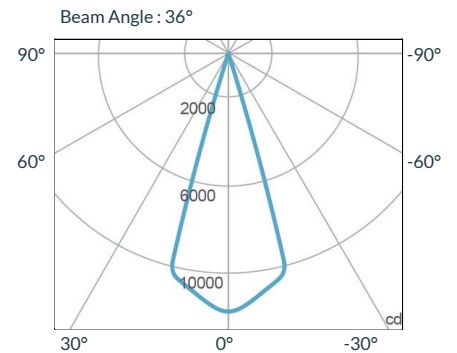
Distance		3' (~0.9 m)	10' (~3.0 m)	15' (~4.6 m)
@3200K	fc	3754	306	151
	lux	40408	3294	1626
@5600K	fc	4121	336	166
	lux	44359	3617	1787
Beam Diameter		Ø 0.9' (~0.3m)	Ø 3.1' (~0.9m)	Ø 4.6' (~1.4m)



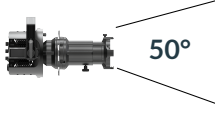
### 36 Degree



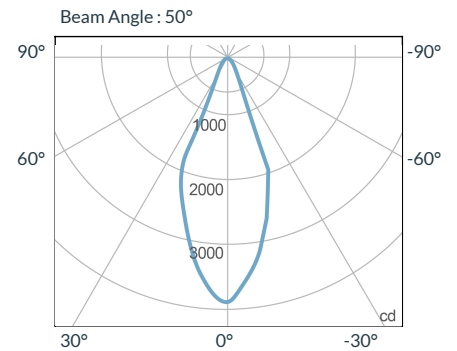
Distance		3' (~0.9 m)	10' (~3.0 m)	15' (~4.6 m)
@3200K	fc	1454	124	60
	lux	15651	1335	646
@5600K	fc	1629	138	68
	lux	17535	1486	732
Beam Diameter		Ø 1.7' (~0.5m)	Ø 5.6' (~1.7m)	Ø 8.4' (~2.6m)



### 50 Degree



Distance		3' (~0.9 m)	10' (~3.0 m)	15' (~4.6 m)
@3200K	fc	477	43	21
	lux	5135	463	227
@5600K	fc	557	46	20
	lux	5996	496	216
Beam Diameter		Ø 1.9' (~0.6m)	Ø 6.3' (~1.9m)	Ø 9.6' (~2.9m)



## MODE DESCRIPTION

Mode Description	Available Modes
- CLR	All Modes (8 bit and 16 bit)
- EZ	All EZ Modes (8 bit) (EZ CCT / EZ HSI / EZ RGBW / EZ RGB / EZ ICTHS / EZ ICT RGBW / EZ 3200K / EZ 5600K)
- RGB	EZ RGB (8 bit)
- CCT	EZ CCT (8 bit)
- 3200	EZ 3200K (8 bit)
- 5600	EZ 5600K (8 bit)

See Downloads portion of webpage for full DMX profiles